

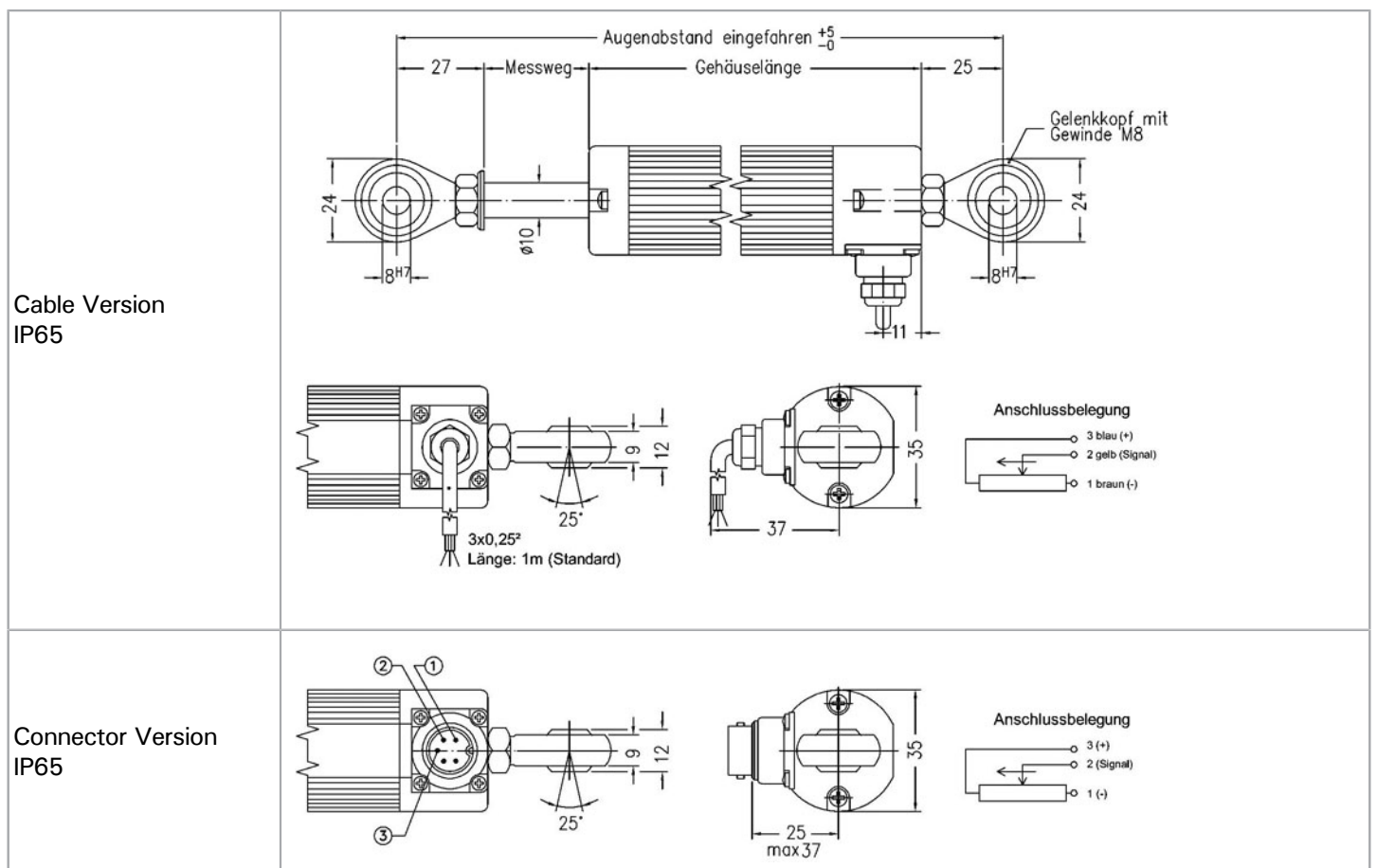
Series RC35 IP65 - Potentiometric Linear Transducer

- Resolution quasi infinite
- Electrical travel from 50 mm to 750 mm
- Displacement speed up to 5 m/s
- Protection class IP65
- Robust and compact design



Because of installation by two ball joints on either side the sensor RC35 can be placed in any mounting position. The housing consists of premium anodized aluminium and the rod of stainless steel. The RC35 is characterized by its compact design and high mechanical stability. In case of rough ambient conditions we recommend the IP67 version.

Drawing



Series RC35 IP65 - Potentiometric Linear Transducer

Dimensions in mm

RC35, IP65	50	100	130	150	175	200	225	275	300	360	375	400	450	500	600	750
Electrical Travel + 1	50	100	130	150	175	200	225	275	300	360	375	400	450	500	600	750
Mechanical Travel ± 1	59	109	139	159	184	210	235	285	310	370	386	412	463	518	619	772
Housing length	179	229	259	279	304	330	355	405	430	496	512	538	589	664	765	918
Hole distance, retracted	231	281	311	331	356	382	407	457	482	547,5	564	590	641	716	817	970

Electrical Data

Resistance Values	50 - 600 mm: 5 kOhm 750 mm: 10 kOhm
Linearity Tolerance, independent	$\pm 0,05\%$
Power Rating at 40°C	3 W
Maximum Operating Voltage	60 V
Temperature Coefficient	400 ppm/K
Insulation	> 100 mOhm bei 500 VDC
Dielectric Strength	500 Veff. (50 Hz)
Wiper Current, maximum	< 10 mA
Wiper Current, recommended	< 1 μ A (voltage divider circuit)

Mechanical Data

Maximum Operating Friction	> 10 N
Maximum Displacement Speed	5 m/s
Repeatability	0,01 mm
Average Life	> 25 x 10 ⁶ m oder > 100 x 10 ⁶ moves (respectively the lower value)

Ambient Conditions

Operating Temperature	-30 ... +100° C
Storage Temperature	-45 ... +120° C

Options

- special cable length (standard = 1m)

Accessories

- 5-pole plug type SW61 - Part No. 110 906

Order Code

Series	Elec. Travel	Version	Resistance Value	Res. Tol.	Lin. Tol.
RC35	50 ... 750	S K	5K 10K (750mm only)	20%	0,05%

Example: RC35 200 S4 R5K W20% L0,05%

The specifications and information in this datasheet cannot consider all special demands that are caused by the application. Because of this, they are no general description of the properties of the product.

28. August 2007. All specifications are subject to change without notice.