

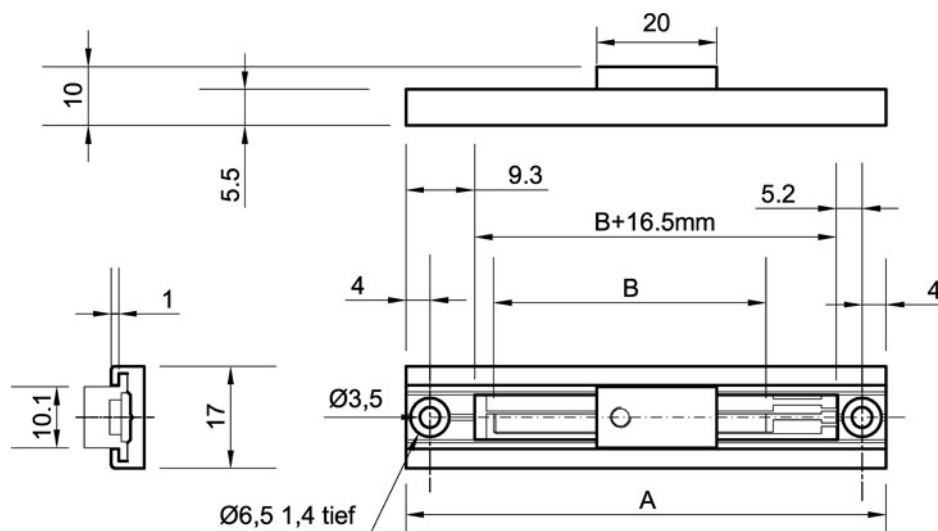
Serie MBW - Potentiometric Linear Transducer

- Resolution quasi infinite
- Elec. travel up to 200mm freely selectable
- Smallest dimensions
- Customized designs possible



The modular design of the system offers a wide range of customized adaptations. Because of its robust construction the MBW is suited to be used in tool-building.

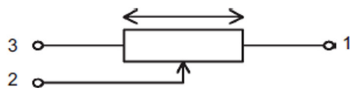
Drawing



Dimensions in mm

Type	MBW50	MBW100	MBW150	MBW200
A in mm	85	135	185	235
B in mm	50	100	150	200

Wiring



Serie MBW - Potentiometric Linear Transducer

Electrical Data	MBW50	MBW100	MBW150	MBW200
Electrical Travel [$\pm 0,5\text{mm}$]	50 mm	100 mm	150 mm	200 mm
Resistance Value	10 kOhm			
Resistanc Tolerance	20 %			
Linearity Tolerance, independent	< 1 %			
Resolution	< 0,01 mm			
Power Rating at 40°C	0,25 W			
Maximum Wiper Current	1 mA			
Recommended Wiper Current	< 1 μA (Voltage Divider Circuit)			

Mechanical Data	MBW50	MBW100	MBW150	MBW200
Actuating Force	< 1,2 N			
Hysteresis	< 0,01 %			
Weight	16 g	27 g	32 g	40 g
Slide Bearing	Sleeve Bearing			
Maximum Displacement Speed	0,5 m/s			
Lifetime	2,5 Mio. cycles			
Housing Material	Aluminium / Plastic			
Connection	Solder Terminals			
Resistance Track Material	Ceramics			

Ambient Conditions	
Operating Temperature	-15 ... +70° C
Storage Temperature	-30 ... +130° C

Options / Accessories	
Mechanical Options	Electrical Options
<ul style="list-style-type: none"> • Special length, shape • Special slide • Cable • adhesive 	<ul style="list-style-type: none"> • Elec. travel freely selectable up to 200mm

Order Code					
Series	mech. Version	Travel	Resistance Value	Res. Tolerance	Lin. Tolerance
MBW	L (solder term.)	50	R 10kOhm	W $\pm 20\%$	L $\pm 1\%$

The specifications and information in this datasheet cannot consider all special demands that are caused by the application. Because of this, they are no general description of the properties of the product.
24. August 2005. All specifications are subject to change without notice.