

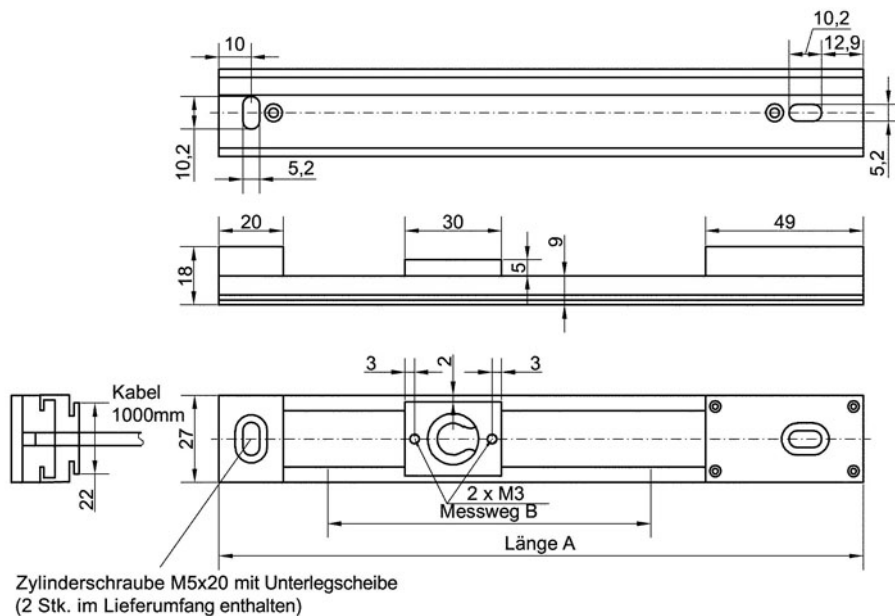
Series MBH - Potentiometric Linear Transducer

- Conductive plastic element, resolution quasi infinite
- Measuring travel from 50mm to 500mm
- Small dimensions
- Protection class IP X8
- Resistance values 1,25 kOhm to 12,5 kOhm



Series MBH is characterised by an open housing in aluminium and its small overall dimensions. Completely waterproof (IP X8) and therefore particularly suitable for work whether in humid and wet environments.

Drawing



Series MBH - Potentiometric Linear Transducer

Dimensions in mm

Type	MBH50	MBH100	MBH200	MBH300	MBH400	MBH500
A in mm	150	200	300	400	500	600
B in mm	50	100	200	300	400	500

Wiring



Electrical Data	MBH50	MBH100	MBH200	MBH300	MBH400	MBH500
Electrical Travel [$\pm 0,5\text{mm}$]	50	100	200	300	400	500
Resistance Values approx.	1,25kOhm	2,5kOhm	5kOhm	7,5kOhm	10kOhm	12,5kOhm
Resistance Tolerance	30%					
independent Linearity Tolerance	<0,5%					
Resolution	<0,01 mm					
Power Rating at 40°C	0,25 W					
Maximum Current	4,4 mA					
Maximum Operating Voltage	5,5 V	11 V	22 V	33 V	44 V	55
Maximum Wiper Current	1 mA					
Recommended Wiper Current	< 1 μA (Voltage Divider Circuit)					

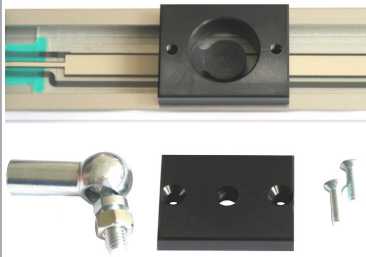

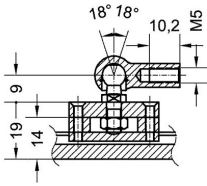
Mechanical Data	MBH50	MBH100	MBH200	MBH300	MBH400	MBH500
Actuating Force	< 1,2 N					
Hysteresis	<0,01 %					
Weight approx.	110 g	125 g	150 g	175 g	200 g	225 g
Slide Bearing	Sleeve Bearing					
Maximum Displacement Speed	2 m/s					
Lifetime	10cMio. cycles					
Housing Material	Aluminium / Plastic					
Connection	1m cable					

Ambient Conditions

Operating Temperature	-25 ... +55° C
Storage Temperature	-30 ... +60° C
Protection Class	IP X8 (waterproof to 0.5m, 30 min.)

Series MBH - Potentiometric Linear Transducer

Options / Accessories / Subsequent Processing Devices

Mechanical Options:	<ul style="list-style-type: none"> • special length or shape • customized slide • special cable length 	
Accessories:	Slide cap with ball joint (Part No. 119819) 1 Set composed of cap, ball joint with internad thread M5 x 15mm and 2 screws M3 x 10mm	
Set (scope of delivery)	Mounted ball joint and cap	Dimensioning
		

Order Code

Series	mech. Version	Travel	Resistance Value	Res. Tolerance	Lin. Tolerance
MBH	K (cable 1m)	50	R1,25K	W ± 30%	L ± 0,5%
		100	R2,5K		
		200	R5K		
		300	7,5K		
		400	10K		
		500	12,5K		

Example: MBH K 100 R2,5K W20% L0,5%

MBH, with 1m cable, travel 100mm, resistance value 2.5kOhm, resistance tolerance ± 30%, independent linearity tolerance ± 0,5%

The specifications and information in this datasheet cannot consider all special demands that are caused by the application. Because of this, they are no general description of the properties of the product.
07. April 2005. All specifications are subject to change without notice.