

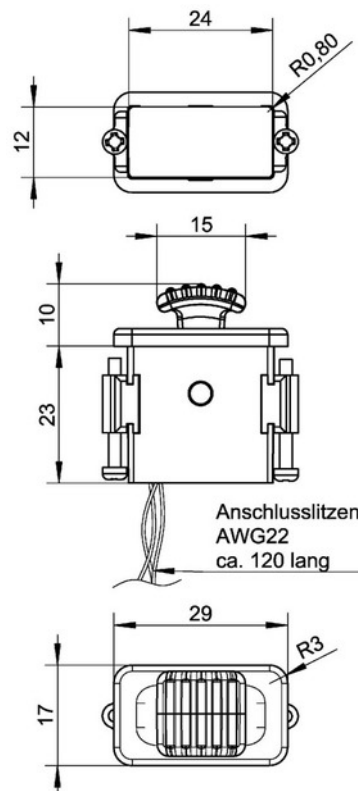
TRY31 - Miniature Hall-Joystick

- 1-Axis
- Ergonomic, stamp-shaped handle thumb operated
- With spring return, optional friction clutch or raste mechanism
- Robust design
- Miniature type, 23 mm installation depth
- High life by contactless sensor technology
- Protection class up to IP66
- Applications: Motor control, construction machinery, etc

That series opens new possibilities to operate complex loop controls in Robotic and Tool Building. Developed as a small Thumb-Joystick to be mounted in handles, the TRY31 is also applicable in micro control panels or table units.

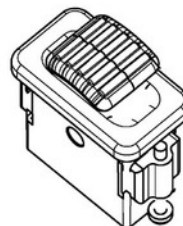
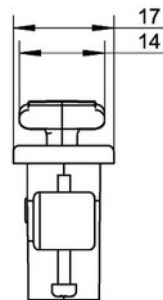


Drawing



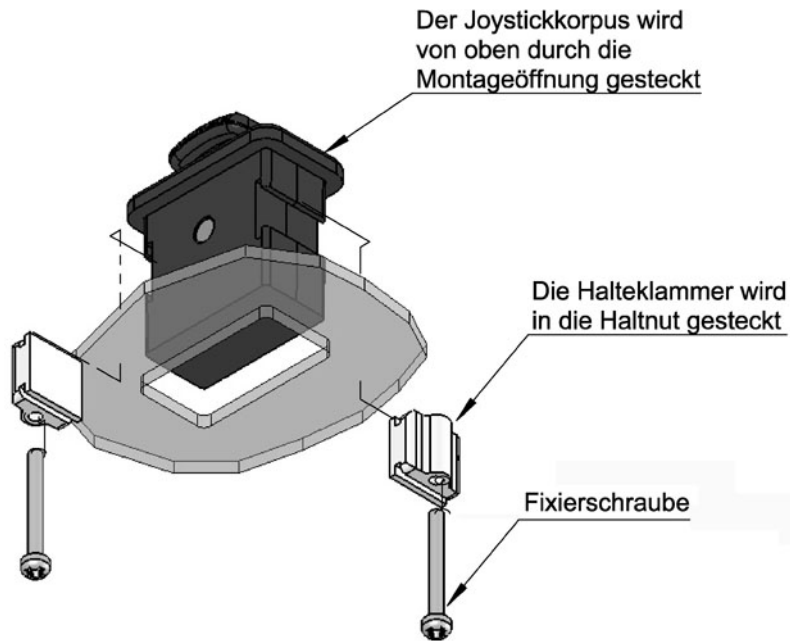
Anschlussbelegung:

Rot: 5 VDC
Schwarz: GND
Blau: Signal



TRY31 - Miniature Hall-Joystick

Mounting



Technical Data

Deflection Y-Axis	$\pm 16^\circ$ (0 ... 32° Option friction clutch)
Mounting	from panel bottom
Housing	high-grade glass-fiber reinforced nylon / rubber
Operating Temperature	-40°C ... $+85^\circ\text{C}$
Storage Temperature	-55°C ... 165°C
Inflammability	94HB
Mechanical Life	1 Mio. MTBF
Supply Voltage	$5 \pm 10\%$ VDC
Output	$0,5\text{V}$... $4,5\text{V} \pm 0,05\text{V}$
Center Voltage	$2,5\text{V} \pm 0,05\text{V}$
Power Consumption	7,5 mA typical
Output Current	± 2 mA
Resolution	infinite
Electrical Life	1 Mio. operating hours
Protection Class	up to IP66 (panel top), Dependent from installation circumstances, form-fit sealing by gaiter from panel top.
Weight	0,013 kg

TRY31 - Miniature Hall-Joystick

Options and Order Description

	Series	Function	Bezel	Reset Device	Handle	Trimm	Sensor
Miniature Hall-Joystick	TRY31						
1 Axis		1					
Gaiter			5				
Center Return				1			
Friction Clutch				6			
3-point snap-in 0° - 16° - 32°				7			
Handle Type 1 stamp-shaped					1		
without Trimm						0	
Output 0,5..4,5 V							1

The specifications and information in this datasheet cannot consider all special demands that are caused by the application. Because of this, they are no general description of the properties of the product.
2010. All specifications are subject to change without notice.