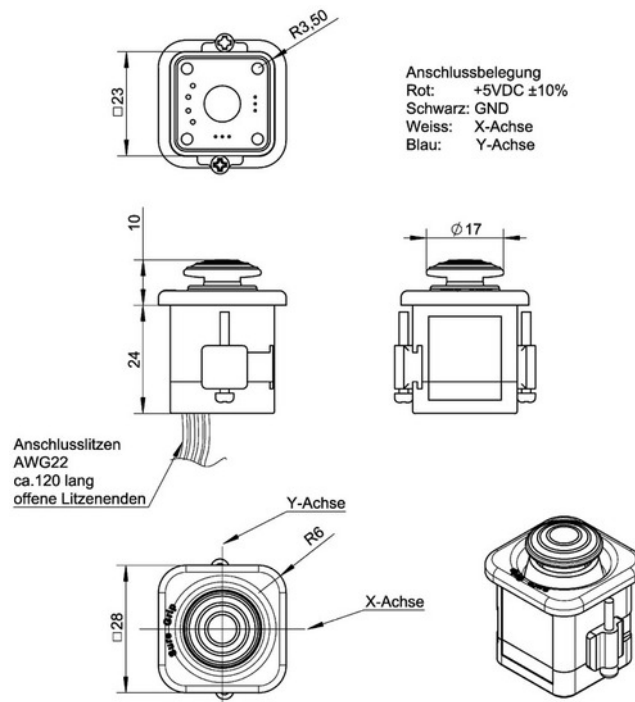


TRY30 - Miniature Hall Joystick

- 2-Axes
- Ergonomic handle, mushroom-shaped
Thumb operated
- With center return
- Robust design
- Miniature type, 24mm installation depth
- High life by contactless sensor technology
- Protection class up to IP66
- Applications: Motor control, construction machinery, etc.

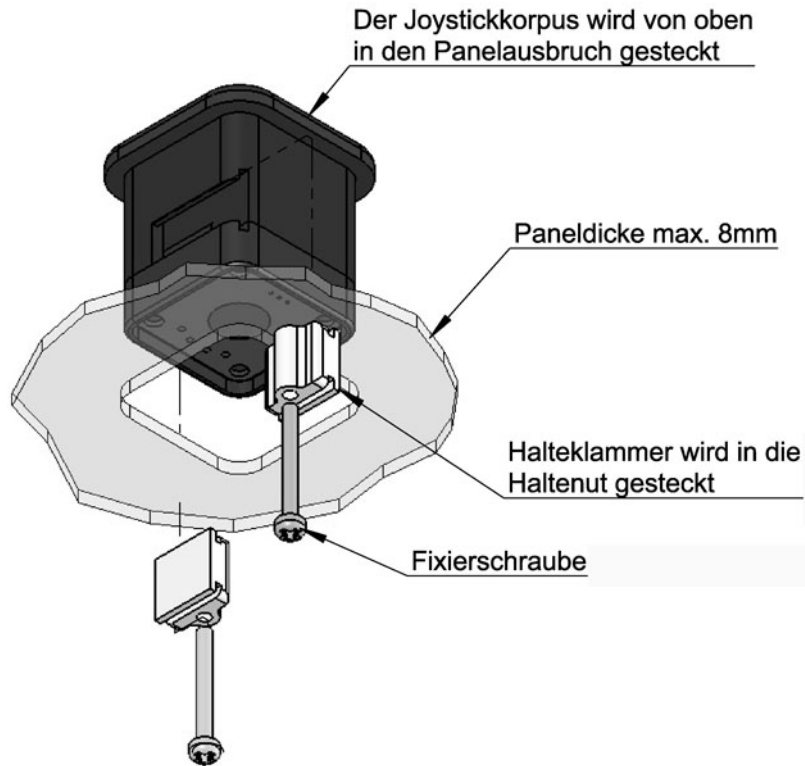


Drawing



TRY30 - Miniature Hall Joystick

Mounting



Technical Data

Deflection Y-Axis	$\pm 14^\circ$
Mounting	from panel bottom
Housing Material	high-grade glass-fiber reinforced nylon / rubber
Operating Temperature	$-40^\circ \text{C} \dots +85^\circ \text{C}$
Storage Temperature	$-55^\circ \text{C} \dots 165^\circ \text{C}$
Inflammability	94HB
Mechanica Life	1 Mio. MTBF
Supply Voltage	$5 \pm 10\% \text{ VDC}$
Output	$0,5 \dots 4,5 \pm 0,2 \text{ V}$
Center Voltage	$2,5 \text{ V} \pm 0,2 \text{ V}$
Power Consumption	15 mA typical
Output Current	$\pm 2 \text{ mA}$
Resolution	infinite
Electrical Life	1 million hours
Protection Class	up to IP66 (Panel Top), Dependent from installation circumstances, form-fit sealing by gaiter from panel top.

TRY30 - Miniature Hall Joystick

Options and Order Description

	Series	Function	Bezel	Reset Device	Handle	Trimm	Sensor
Miniature Hall Joystick	TRY30						
2 Axes X/Y		2					
Gaiter			5				
Center Return				1			
Handle Type 1 mushroom-shaped					1		
without Trimm						0	
Output 0.5 - 4.5 V							1

The specifications and information in this datasheet cannot consider all special demands that are caused by the application. Because of this, they are no general description of the properties of the product.
2010. All specifications are subject to change without notice.