

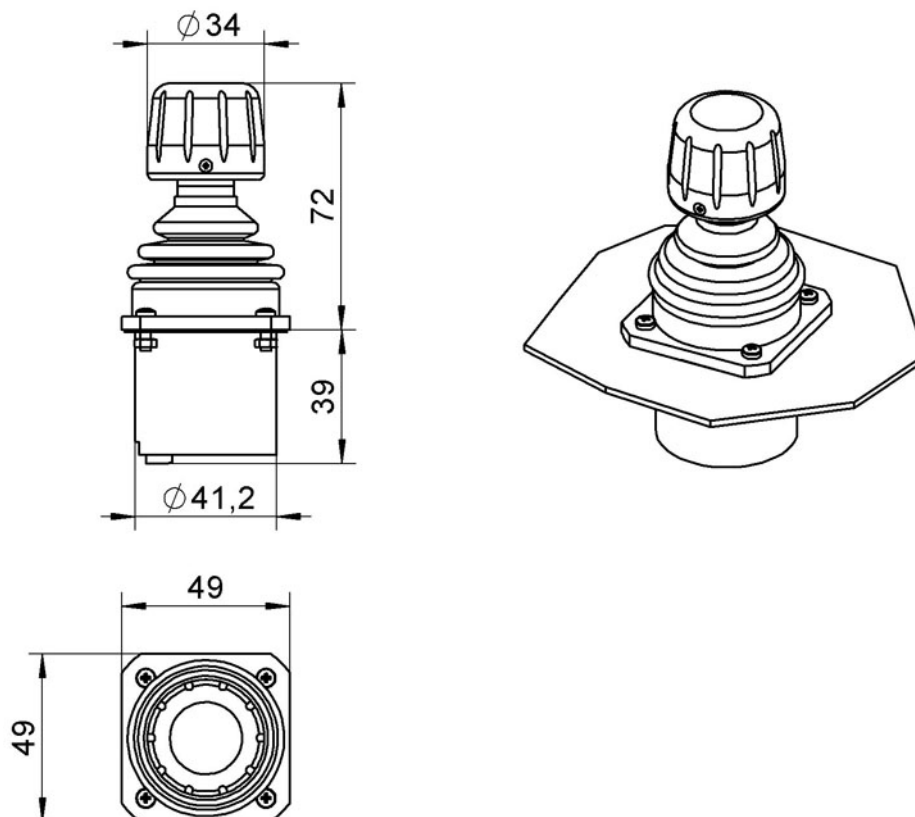
TRY22 - Hall Joystick

- a new generation of compact joysticks in industrial quality
- contactless, wearless hall sensor technology
- 3 axes
- robust design
- compact model with approx. 39 mm installed depth
- redundant output signals possible
- protection class up to IP65
- easy installation by oval boreholes
- well-priced

The joystick series TRY22 has been completely redesigned with the objective of high quality standards, efficiency of costs, high protection grade and easy installation.



Drawing

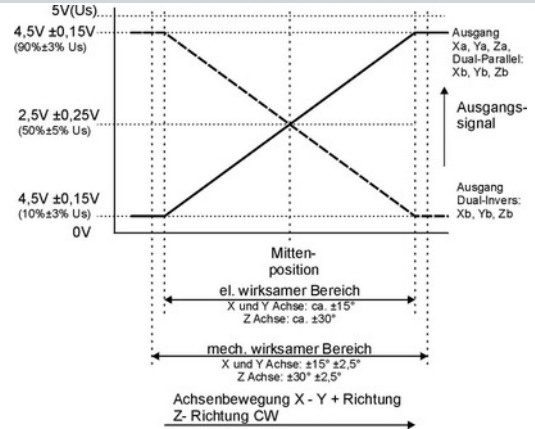


TRY22 - Hall Joystick

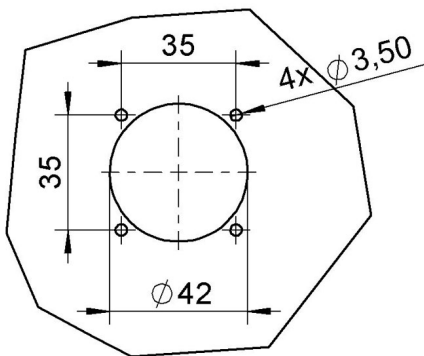
Cable:

- PIN 1 - black - NC
- PIN 2 - white - NC
- PIN 3 - grey - GND
- PIN 4 - violet - Z-Option
- PIN 5 - blue Z-Signal
- PIN 6 - green - Y-Option
- PIN 7 - yellow - Y-Signal
- PIN 8 - orange - X-Option
- PIN 9 - red - X-Signal
- PIN 10 - brown - +5VDC

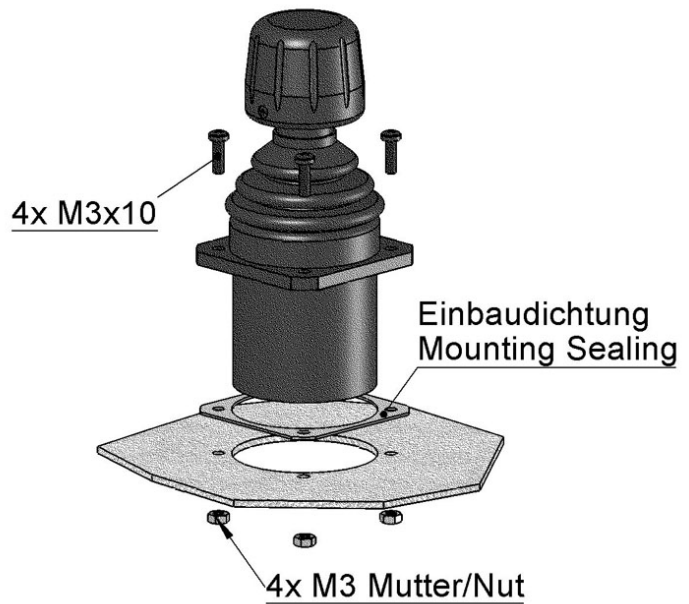
Wire \approx 24AWG, length approx. 30 mm



Mounting



MONTAGEBOHRUNG
 MOUNTING HOLES



TRY22 - Hall Joystick

Mechanical Data

Deflection X-Y-Axes	$\pm 20^\circ$
Deflection Z-Axis	$\pm 30^\circ$
Reset Force X-Y-Axis	1 ... 4 N
Reset Force Z-Axis	40 .. 80 mNm
Reset Accuracy	$\pm 5\%$
Mounting	vom panel bottom
Housing Material	high-strength fiber-glass reinforced nylon
Gaiter Material	rubber
Operating Temperature	-20 ... +60° C
Storage Temperature	-55 ... 165° C
Inflammability	94HB
Lify cycles	2.000.000
Protection Class	up to IP65, dependent on mounting location, top side of the panel sealed by positive gaiter

Electrical Data

Supply Voltage	+5 VDC $\pm 10\%$
Current Consumption	15 mA typ. per axis
Output	10% $\pm 3\%$... 90% $\pm 3\%$ V_{Supply}
Center Signal	50% $\pm 5\%$ V_{Supply}
Minimum Output Load	10 kOhm
Maximum Output Power	2 mA / per axis
Resolution	infinite
Electrical Life	1.000.000 h (normal conditions)
Independent Linearity	ca. $\pm 3^\circ$ FS
Center Drift	< 1% V_{Supply} FS
Temperature Behaviour	< 2,5% V_{Supply} FS

Other Data

Vibration	10 ... 55 Hz, 98 m/s (10G) (MIL-STD-202F-204)
Shock	294 m/s (30G) (MIL-STD-202F-213)
Lever Strength X-Y-Axis	200 N
Lever Strength Z-Achse	0,5 Nm
EMS	100 V/m (80 MHz ... 1 GHz)
ESD	± 8 kV contact discharge / ± 15 kV air discharge
EFT	Level 2

TRY22 - Hall Joystick

Options and Order Description

Series		TRY22	3	5	1	1	3	x
Axes	3: 3 axes							
Bezel	5: rubber boot							
Return device	1: with central return spring							
Handle	1: knob with 3rd axis							
Limitier plate	3: square							
Output	1: 10%..90% Vsupply 2: 10%..90% Vsupply dual parallel 3: 10%..90% Vsupply dual inverse							

The specifications and information in this datasheet cannot consider all special demands that are caused by the application. Because of this, they are no general description of the properties of the product.
April 2008. All specifications are subject to change without notice.