

TRY13 - Thumbwheel

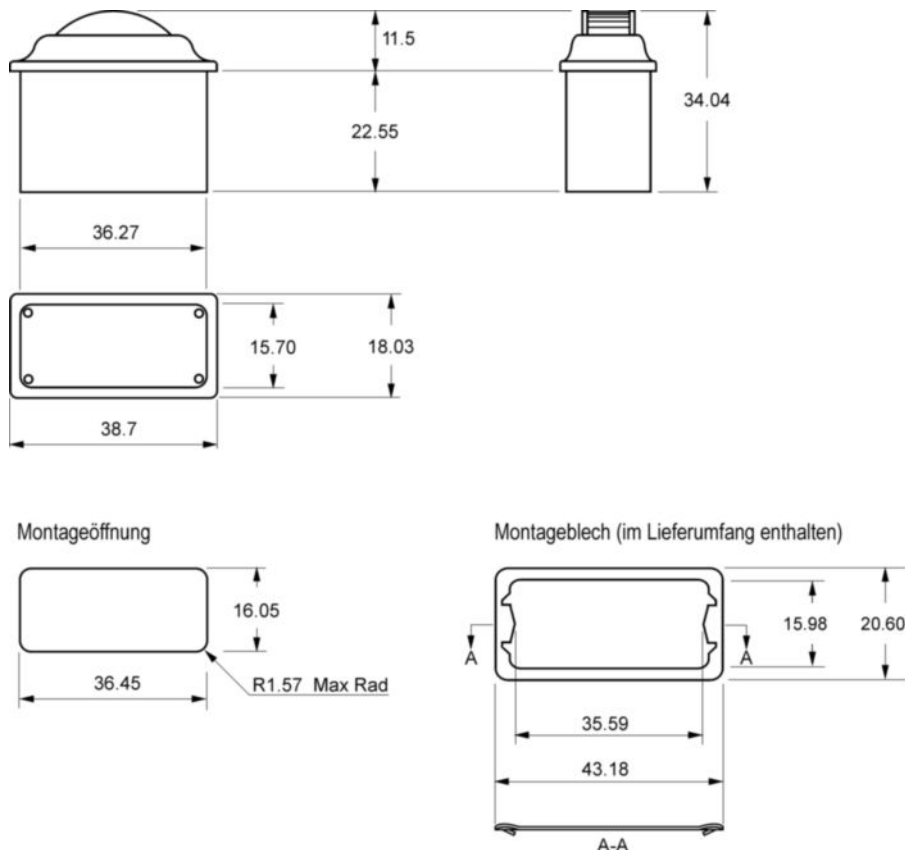
- 1 axis
- ergonomically designed thumbwheel
- with spring return
- feinfühliges Ansprechverhalten
- Hall effect technology for long life performance
- Application: engine controls, video technology, etc.

The TRY13 is a self centering, single-axis device developed for thumb-actuated applications requiring proportional output control. It suitable as a stand-alone device or may be incorporated into the handle of our TRY81 joystick.

Available colours are red, gray, black, or blue.



Drawing



TRY13 - Thumbwheel

Technical Data

Actuation force	80 Gramm (0,78 N)
Operating temperature	-40° C .. +85° C
Lifecycles	5.000.000
Supply voltage	5 V
Output	0..5V / 0,5..4,5V / 1..4V
Supply current	10 mA (typical)
Output current	± 2 mA
Output tolerance	± 2%
Resolution	infinite
Protection class	on request

Options and Order Description

	Series	Function	Bezel	Reset Devide	Handle	Sensor
Order Code:	TRY 13					
1 Axis		1				
Square			0			
with Spring Return				1		
Wheel colour black					1	
Wheel colour grey					2	
Wheel colour red					3	
Wheel colour blue					4	
Output 0-5V Rail to Rail						1
Output 0.5-4.5V						2
Output 1-4V						3

Please ask for more options and accessories.

The specifications and information in this datasheet cannot consider all special demands that are caused by the application. Because of this, they are no general description of the properties of the product.

April 2008. All specifications are subject to change without notice.