

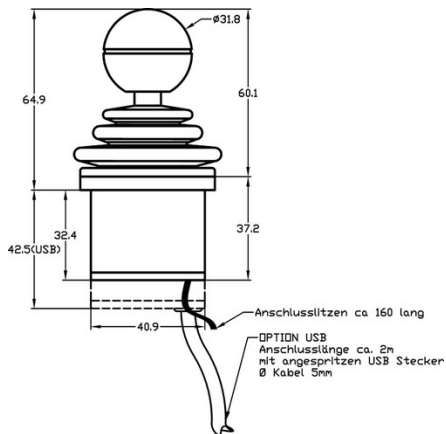
## TRY10 - Finger Joystick

- 1-, 2- or 3-axes
- up to 2 buttons in the handle
- protection grade up to IP 65
- optional with USB-interface
- useable as mouse-replacement (only option USB)
- ideal for controlling of wheelchairs, electric vehicles and many other drives with servo motors

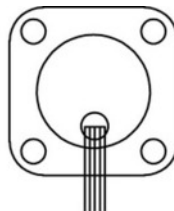
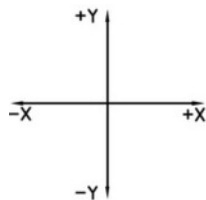
With contactless hall sensors. Because of this technology it is a very robust and longlife Joystick. It is also small in the 3-axis version, compact and space-saving.



## Drawing



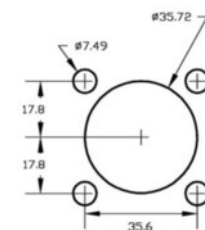
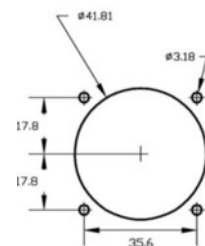
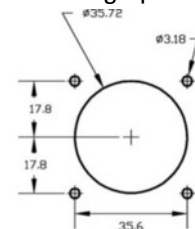
**Cable:**  
 red = Vcc  
 black = ground  
 blue = X-axis  
 yellow = Y-axis  
 green = Z-axis  
 white = S1 / S2  
 orange = S1  
 violet = S2



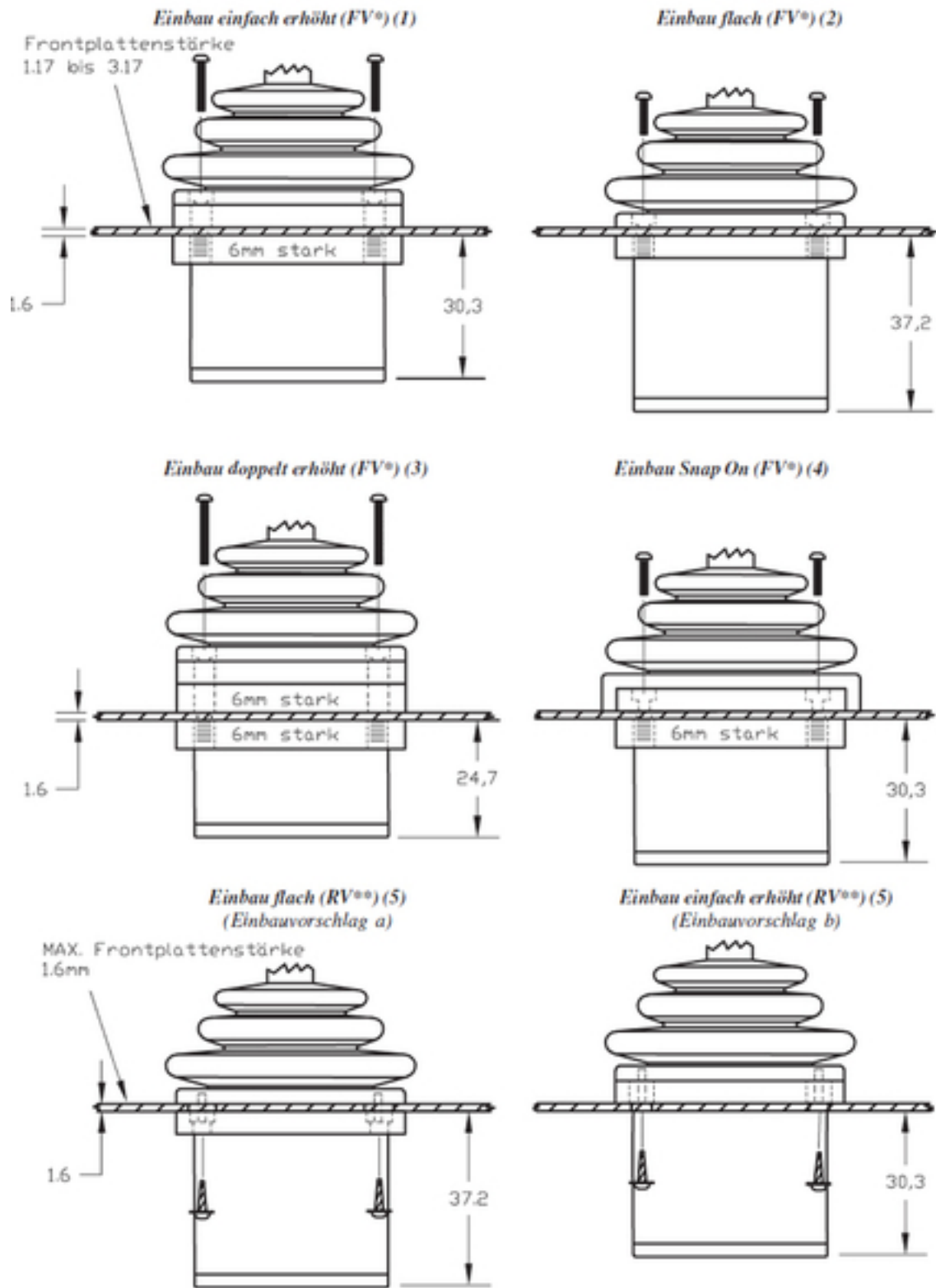
Orientation ( top view )  
 Limiter plate options:



**Drilling template**  
 Mounting option 2:  
 Mounting option 1, 3, 4, 5b:  
 Mounting option 5a:



## Mounting options

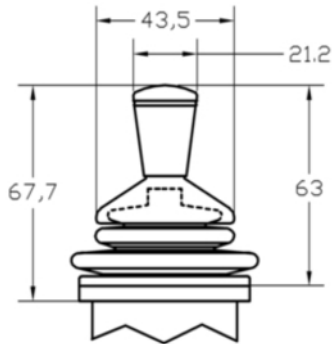


\*FV = front screwing, \*\*RV = rear screwing

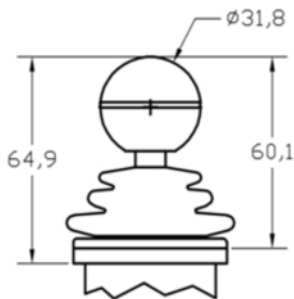
Please note: panel depth is extended by 10,15 mm with USB option

## Handle versions

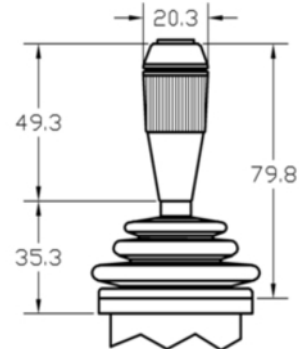
Handle Type 1 (IP65)



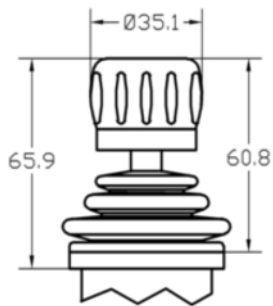
Handle Type 3 (IP65)



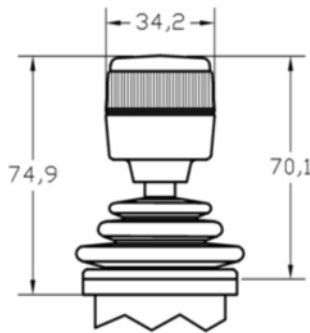
Handle Type 4 (IP50)



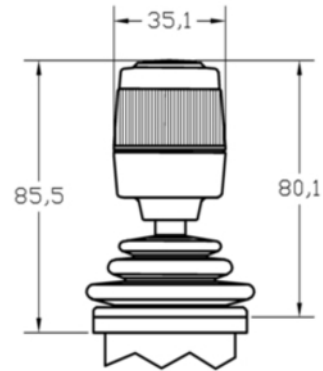
Handle Type 6 (IP54)



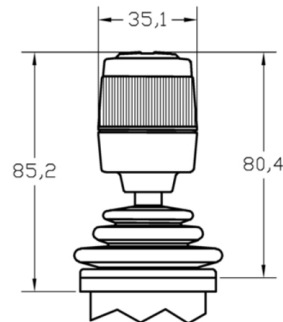
Handle Type 7 (IP50)



Handle Type 9 (IP50)



Handle Type A (IP50)

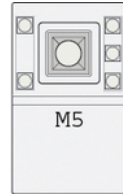
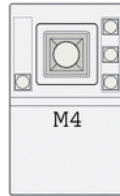


The optional protection class depends on the design of the handle.  
For protection class "2" additional sealing could be necessary.

# TRY10 - Finger Joystick

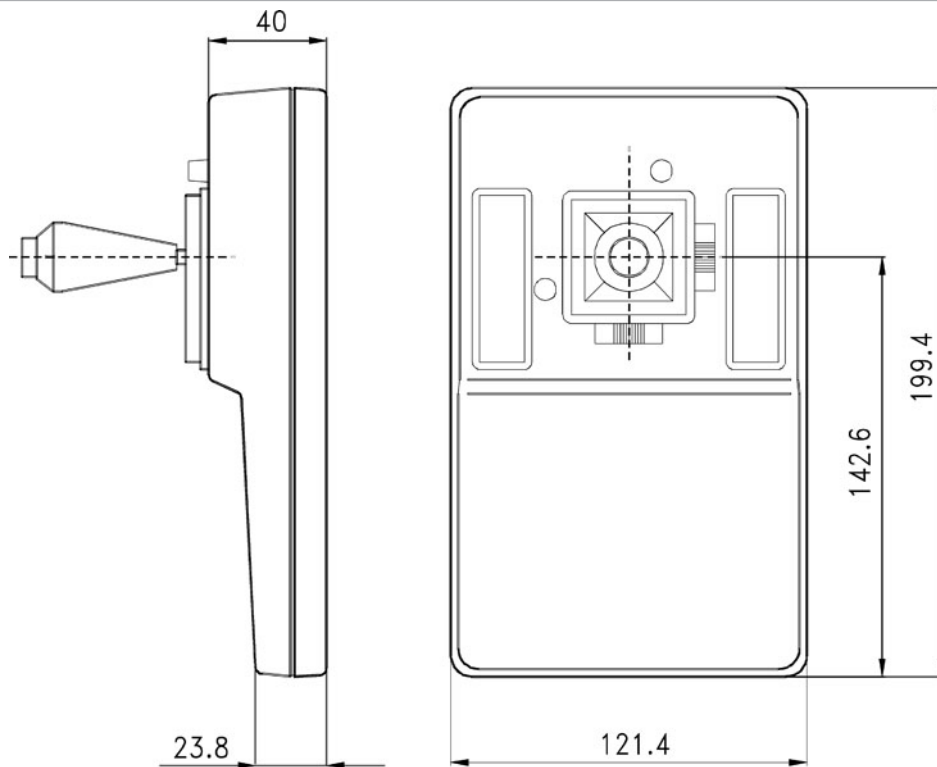
## Mounting option desktop

Option Desktop housing.  
Housing colour completely black



Available standard configuration

## Drawing



# TRY10 - Finger Joystick

## Options

### USB Interface

The optional USB output comes with a 2 m connection line with standard USB connector. The USB controller is integrated within the Joystick housing. Power will be supplied by the USB-port. The Joystick may operate with all USB capable operating systems.

### USB-Joystick as mouse-replacement

The software is free available and easy to install and to handle. Please contact us.

### Option Center Detect

Produces an electrical HI signal when stick is moved off center and produces an electrical LO signal at center position and if the sensor output voltage deviates from range ( $<0.5V$  or  $>4.5V$ ).

### Option Dual Decode

Provides center detect function and monitors dual sensors. If the sum and the difference of the sensor outputs vary by more than 9%, the circuit becomes electrically LO. Requires dual sensors and output option 0.5V to 4.5V.

### Option Friction Clutch

The joystick does not mechanically return to center, maintains present position. Requires "round" limiter plate option.

## Technical Data

Supply Voltage	5V $\pm$ 10%
Power Consumption 2-Axes	4,8 mA ... 11
Power Consumption 3-Axes	7,2 ... 16,5 mA
Resolution	infinite
Center Voltage	2,5V ( $\pm$ 40mV)
Electrical Life	1 Mio. h
Mechanical Life (operations)	3 Mio. (normal use)
Output Voltage	0...5 V / 0,25...4,75 V / 0,5..4,5V
Linearity Tolerance	$\pm$ 2% F.S.
Deflection X-,Y- Axis	$\pm$ 18°
Deflection Z- Axis	$\pm$ 40°
Operating Force in X-Y- Direction	2,25 N
Reset Accuracy to Center	$\pm$ 1%
Operating Temperature	-25 ... + 85° C
Storage Temperature	-55 ... + 165° C
Weight (example 2-axes with spheric handle)	110 g
Protection Class	depending on handle type, standard IP40
Inflammability	94HB
Panel Thickness	1,2 ... 3,2 mm

# TRY10 - Finger Joystick

## Options and Order Description

	Series	Axes	Bezels	Reset Device	Handles	Limiter Plates	Output	Mounting	add. Options
<b>Joystick mit hall effect sensors</b>	<b>TRY10</b>								
1 Axis		1							
2 Axes		2							
2 Axes and Push Button		3							
3 Axes		4							
3 Axes and Push Button		5							
Gaiter			5						
Spring Return				1					
With Friction Clutch #1				6		-3		-3	
Handle, conical IP65					1				
Handle, spheric IP65					3				
Handle for 2 Axes with Push Button IP50					4				
Handle for 3 Axes without Push Button IP54, Low Profile					6				
Handle for 3 Axes without Push Button					7				
Handle for 3 Axes with 1 Push Button					9				
Handle for 3 Axes with 2 Push Buttons					A				
Limiter Plate, square						1			
Limiter Plate, diamond (45° shifted)						2			
Limiter Plate, round						3			
Limiter Plate, Y axis slotted						8			
Limiter Plate, X/Y plus („+“)						9			
Limiter Plate, X/Y cross („x“)						D			
Output 0..5 V							1		
Output 0,5..4,5 V							2		
Output 0,25..4,75 V							3		
Output USB Interface							5		
Mounting single raised (FV*) standard								1	
Mounting flat (FV*)								2	
Mounting double raised (FV*) (+ 6 mm)								3	
Mounting snap on (FV*)								4	
Mounting flat and single raised (RV**)								5	
Desktop Housing									M0
Desktop Housing with 2 Push Buttons									M2
Desktop Housing with 4 Push Buttons									M4
Desktop Housing with 4 Push Buttons (cherry-buttons)									M4D
Desktop Housing with 5 Push Buttons									M5
Dual Encoding (none at option USB)							(2)		D
Center Detect (none at option USB)							(2)		C
Increased Range of Supply Voltage									V

## TRY10 - Finger Joystick

#1: available up to 2 axes and round limiterplate „3“ only

### Preference types from stock:

TRY10\_1511811 / TRY10\_2511111 / TRY10\_3514111 / TRY10\_4516111 / TRY10\_5519111 / TRY10\_551A115 /  
TRY10\_3514351 / TRY10\_551A151 / TRY10\_351435M2

Samples from stock, subject to prior sale.

The specifications and information in this datasheet cannot consider all special demands that are caused by the application. Because of this, they are no general description of the properties of the product.  
15. February 2011. All specifications are subject to change without notice.