

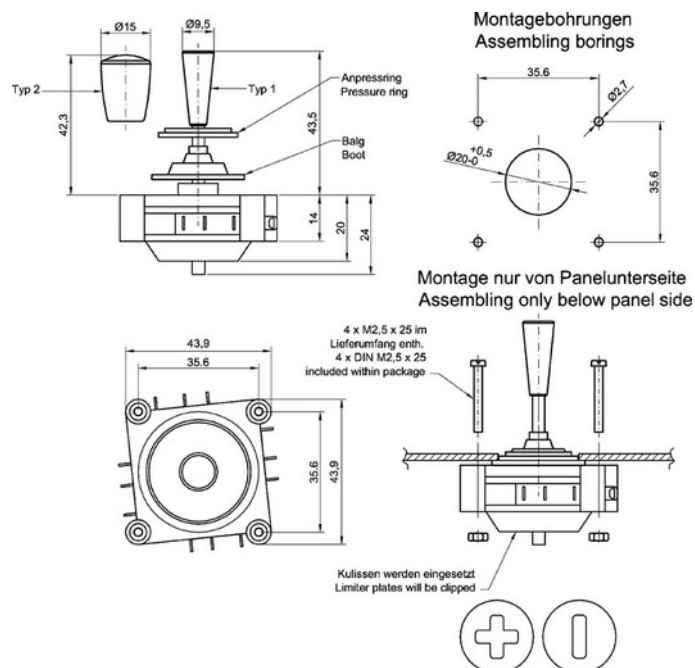
851 - Finger-Switchstick

- 2 axes
- Spring return to center position
- IP65 from top (installed)
- Applications: Robot controls, special-purpose vehicles, tool building, etc.

New construction of the robust master switch series 851 for currents up to 5A and voltages up to 240V AC.



Drawing



851 - Finger-Switchstick

Mechanical Data

Deflection X + Y-Axis (from center pos.)	± 12°
Materials	Handle, Shaft: Steel Housing, Bezel: Nylon
Mounting Screws	M2,5 / 25 mm long

Electrical Data

Material Contacts	Silver
Maximum Current	5 A
Maximum Voltage	240 V AC
Switch type	Selector Switch
Contact	Solder lug
Life time Switch	1.100.000 @24VDC/50mA (10.000 @ 240VAC/5A)

Options and Order Description

	Series	Function	Bezel	Reset Device	Handles	Switches
Switchstick	851					
2 axes		2				
PVC			1			
Spring return				1		
conical cylindric					1	
bellied cylindric					2	
Type 1						1

Please ask for more options and accessories.

The specifications and information in this datasheet cannot consider all special demands that are caused by the application. Because of this, they are no general description of the properties of the product.

April 2008. All specifications are subject to change without notice.