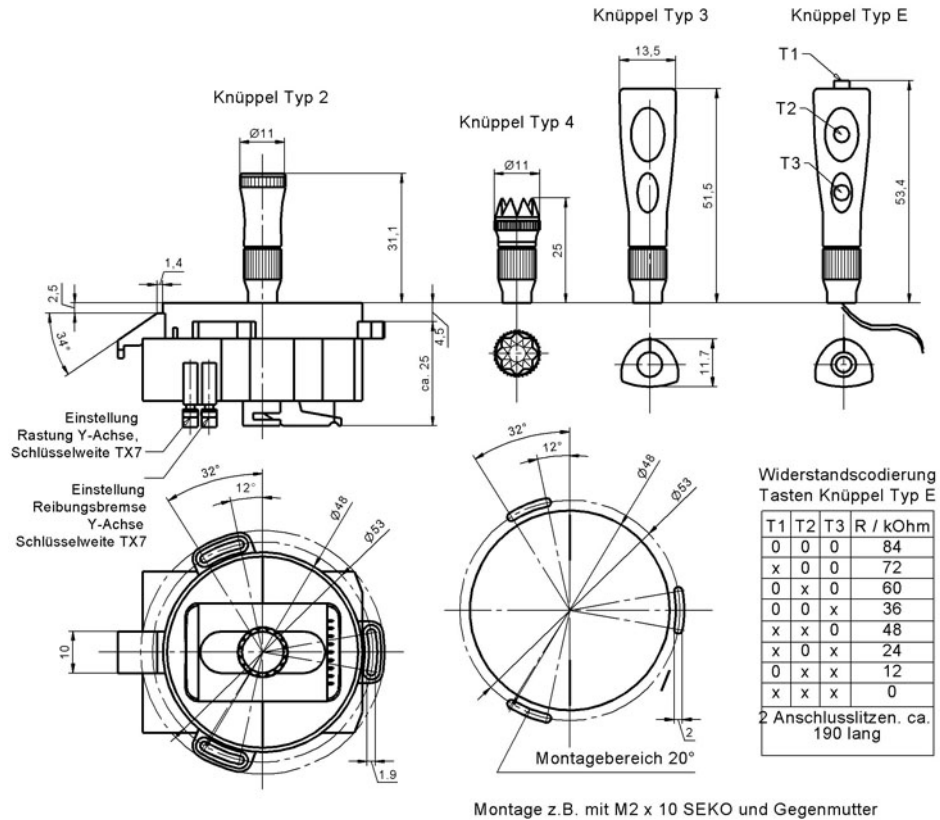


Series 806 - Miniature Joystick

- 2 Axes
- Optional Handle with 3 Pushbuttons
- Adjustable Rastfunktion Y-Axis
- Adjustable Friction Clutch Y-Axis
- Shapely Design
- Ergonomic Handle



Drawing



Series 806 - Miniature Joystick

Technical Data

Mechanical		Electrical Pot Type A	
Deflection X-, Y-Axis	± 30°	Resistor Technology	carbon film
Mounting	from panel bottom	Resistance Value	5 kOhm
Operating Temperature	-10 ... +55° C	Resistance Tolerance	± 20%
Storage Temperature	-20 ... +85° C	Linearity Error	± 5%
Inflammability	94HB	Power Rating	0,1W bei 70°C
Mech. Life	100.000 MTBF	Electrical Angle	215°
Protection ClaSS	IP40	Bearing	Sleeve Bearing
		Life Cycles	typical 100.000 movements
		Max. Wiper Current	0,1 mA
		Max. Voltage	20 VDC
Handle Type E			
Resistance encoded in 12 kOhm steps. Please see drawing			

Order Description

Series		806	x	0	1	x	0	A
Function	2 Axes	2						
	2 Axes with Pushbutton	3						
Bezel	without	0						
Reset Device	with Spring Return			1				
Handle	Type 2					2		
	Type 3					3		
	Type 4					4		
	Type E with 3 Buttons					E		
Trimm	without Trimm						0	
Output	Potentiometer Type A							A

The specifications and information in this datasheet cannot consider all special demands that are caused by the application. Because of this, they are no general description of the properties of the product.
2007. All specifications are subject to change without notice.